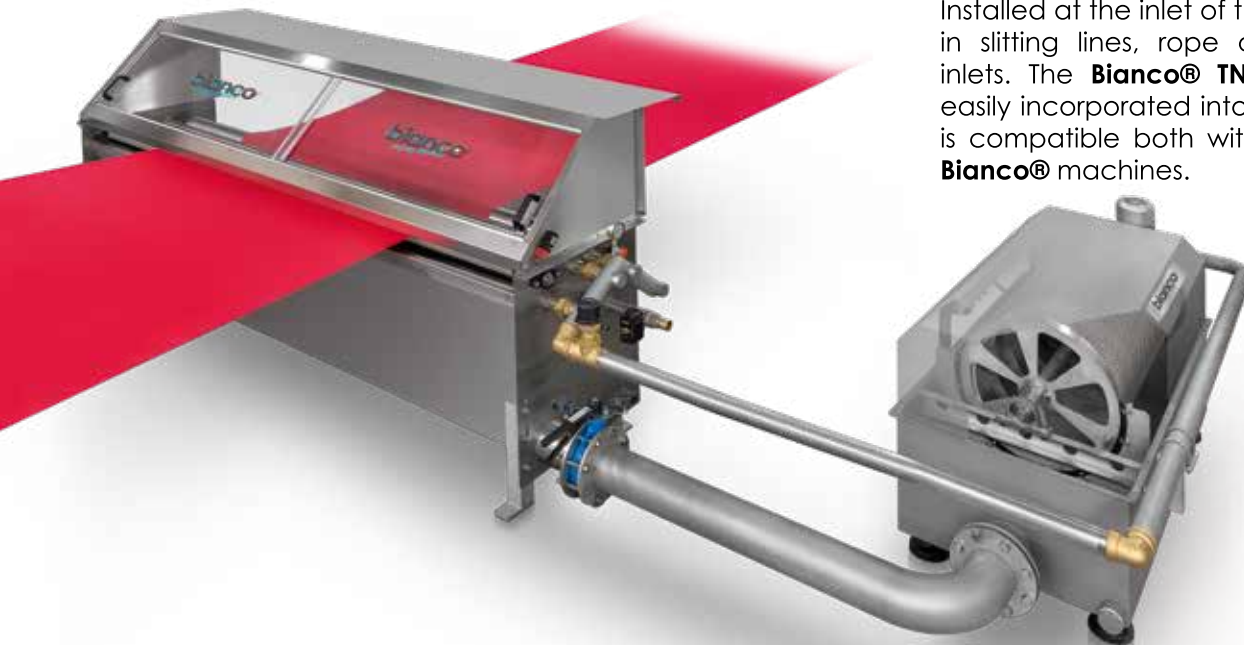


ECO-CLEAN | Washing Tank TNK15

The *Eco-Clean* Washing Tank TNK15 has been created to meet the necessity of removing enzymatic residuals by implementing existing lines with reduced economic and environmental impact.



The **Bianco® TNK15 Washing Tank** is designed to clean fabric after enzymatic treatments. Installed at the inlet of the squeezing padder in slitting lines, rope openers and stenter inlets. The **Bianco® TNK15** system can be easily incorporated into existing systems and is compatible both with **Bianco®** and non-**Bianco®** machines.

TANK

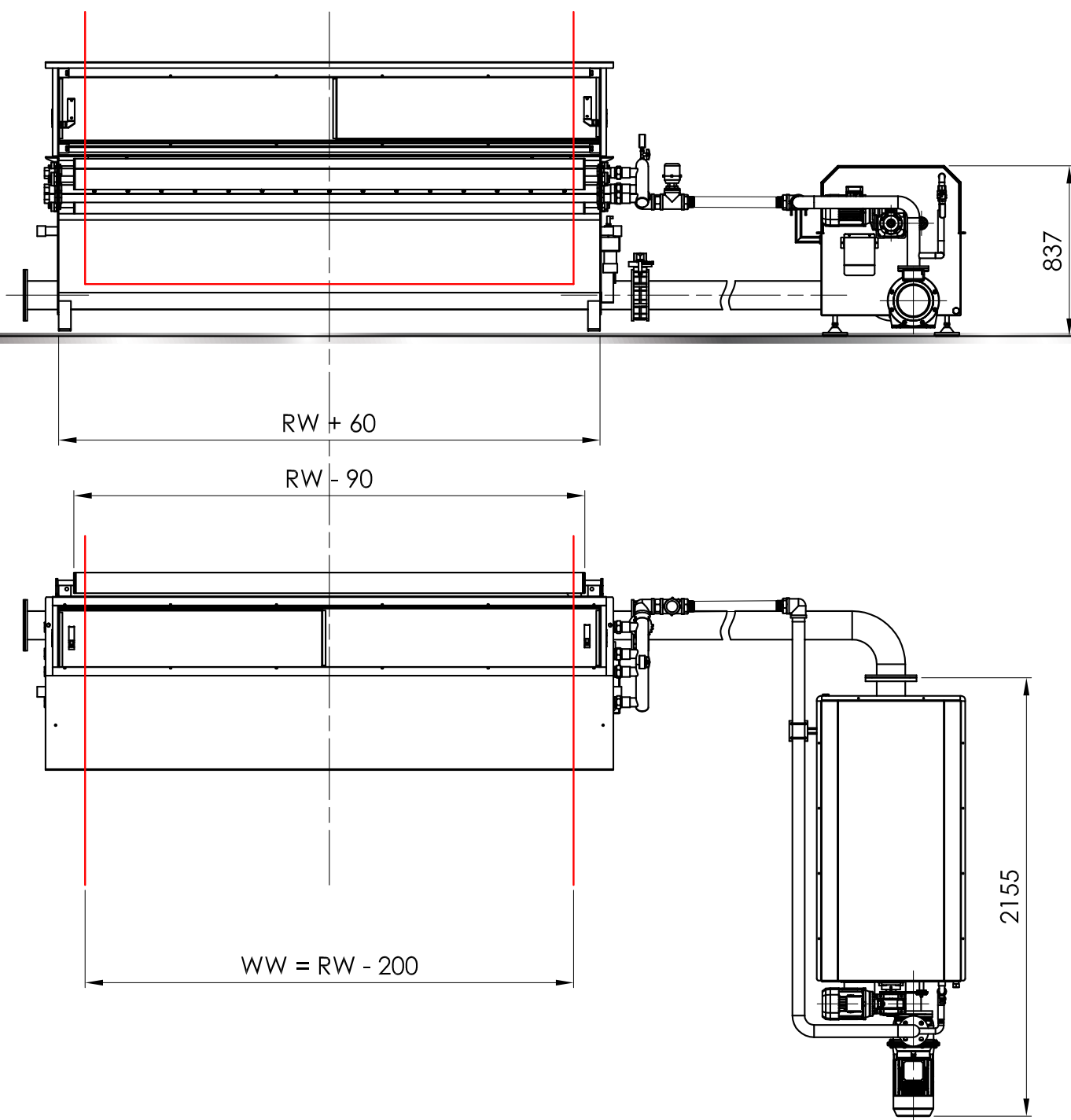
overall dimensions L x H x W	859 x 1340 x (RW+60) mm weight 220Kg
material	stainless steel
rollers width	from 2000 mm to 3600 mm
fabric width	from 1800mm to 3800mm
mechanical speed max	120 m / min
max compressed air	6 bar
standard voltage	3x400Vac-50Hz or others on request
control	PLC Schneider
ambient temperature	from 0 to + 55°

FILTER

overall dimensions L x H x W	2643 x 837 x 2155 mm weight 450Kg
type of disc	rotating drum with internal screw
size of suspended solids retained	up to 100 microns
flow rate of liquid processed	20-25 m ³ / h
type of self-cleaning	filter radial type
filter drum motor power	4 Kw
motor pump power	4 Kw
noise	<75db(A)
water consumption in functioning	0 liter



ECO-CLEAN | Washing tank TNK15



The specification, data and drawings contained herein are purely indicative and may be subject to changes at the discretion of the manufacturer.