

OPEN-WIDTH SQUEEZING PADDER

The Bianco® FRD Open-Width Squeezing Padder is used after washing and dyeing. It can be installed either on the rope opener/slitting line or at the inlet to drying lines.

There are two types of squeezer: high squeezing and impregnation.

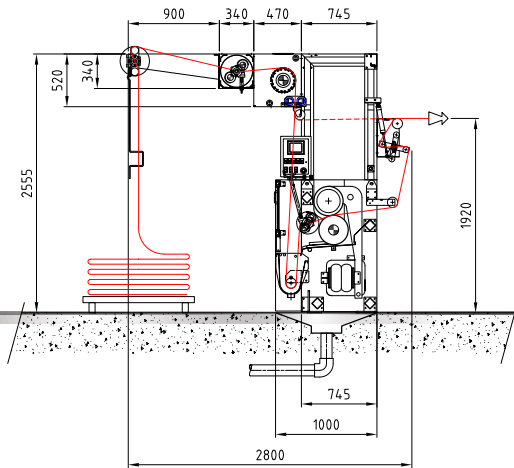


overall dimensions L x H x W	1000 x 1350 x (RW+1450) mm weight 4000 Kg
material	carbon steel or stainless steel
color on painted steel	RAL 7021 per struttura e RAL 9006 per portelle laterali
rollers width	from 2000 mm to 4000 mm
fabric width	from 1800 mm to 3800 mm
rollers diameter	290 mm up to roller width 2800 mm (optional STABIL roller only on this diameter and up to rw=2800 mm)
wider width rollers diameter	350 mm, from RW 3000 mm to 4000 mm
specific pressure	50Kg/cm (squeezing), 35Kg/cm (impregnation)
rubber hardness	92/94 shore (squeezing), 85 shore (impregnation)
squeezing max	14000 Kg
mechanical speed max	150 m/min
compressed air max	6 bar
voltage	standard 3x400Vac – 50Hz o altre a richiesta
installed power	10 Kw
motorization	A/C controlled by inverter
ambient temperature	from 0 to + 55 ° (optional A/C for electrical cabinet)
noise	<75 dB(A)
operator pannel	Schneider touch-screen
control PLC	Schneider
teleservice	optional

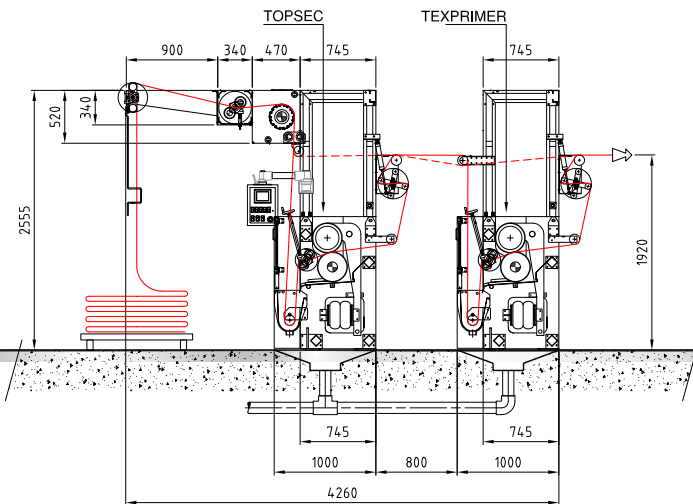


www.bianco-spa.com

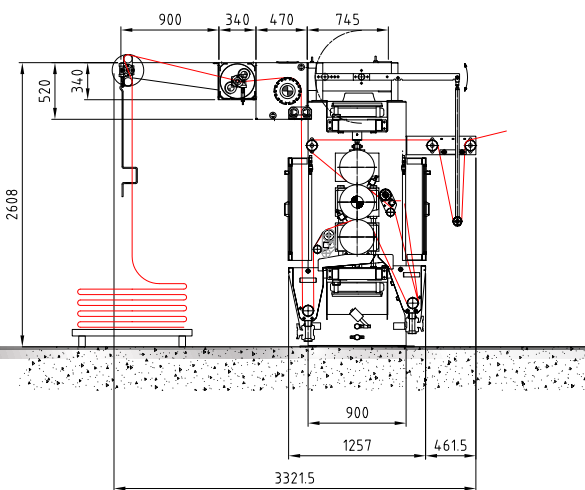
OPEN-WIDTH SQUEEZING PADDER



Bianco® single padder



Bianco® double padder



Bianco® 3 roller padder

The specification, data and drawings contained herein are purely indicative and may be subject to changes at the discretion of the manufacturer.