

OPTICAL WEFT STRAIGHTENER

Bianco® Weft Straighteners include several types of machine for correcting fabric distortion in various finishing processes.



CONFIGURATIONS

(RDT-STC2 basic model)

bow rollers 2
 fixed bridge
 reading heads in reflection STD2 (SINGLE SCAN)
 graphic op pannel OP20
 A/C motors controlled through inverter

OPTIONS

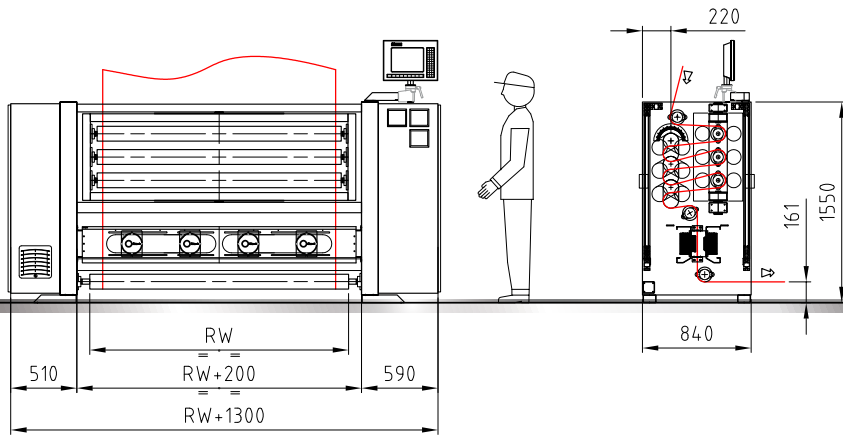
additional bow roller
 mobile reading bridge or scanning reading bridge
 reading heads + projectors reflection and transparency
 STD2 (TWIN SCAN)
 operator pannel 15" touchscreen LinVDTEX

overall dimensions L x H x W	1550 x 840 x (RW+1320) mm weight 1500Kg
material	carbon steel
color on painted steel	RAL 7021 for the structure RAL 9006 for side doors
rollers width	from 1800 mm to 4000 mm (on request wider width > 4000mm)
fabric width	from 1600mm to 3800mm
skew rollers number	3 Ø 114 mm
bow roller number	2 / 3 Ø 120 mm
deflection of bow rollers	MDC 3% FDC 2,5%
max skew correction	stroke 240 mm +/-120
max bow correction	stroke 120°
max skew speed	25 mm/sec
minimum skew displacement time	9sec
max bow speed	9°/sec
minimum bow displacement time	13 sec
max speed of MDC model bow roller drive	up to 150 mt/min
max fabric tension	4KN standard version 8KN reinforced version
voltage	standard 3x400 Vac – 50 Hz or others on request
installed power	6 Kw
motorization	A/C controlled by inverter
speed compensator	with variable weight (fabrics <50 g/sqm) adjustable through program
reading heads	STD2 (Smart Thread Detector 2)
analyses per minute	600÷1800 using reflected light and pulsing light simultaneously
light sources	2 high power illuminators with pulsing infrared light, used simultaneously for illumination withreflected light and pulsing light
no. heads in standard reading unit nr. teste	from 2 to 14 STD1 heads connected via serial line to electric panel
no. heads in oscillating reading unit (option)	4 STD1 heads connected via serial line to electric panel
user interfaces	VDTEX 15" touch with LinVDTEX system and LinPRINTER
ambient temperature	from 0 to + 55° (optional a/c for electrical cabinet)
noise	<75 dB(A)

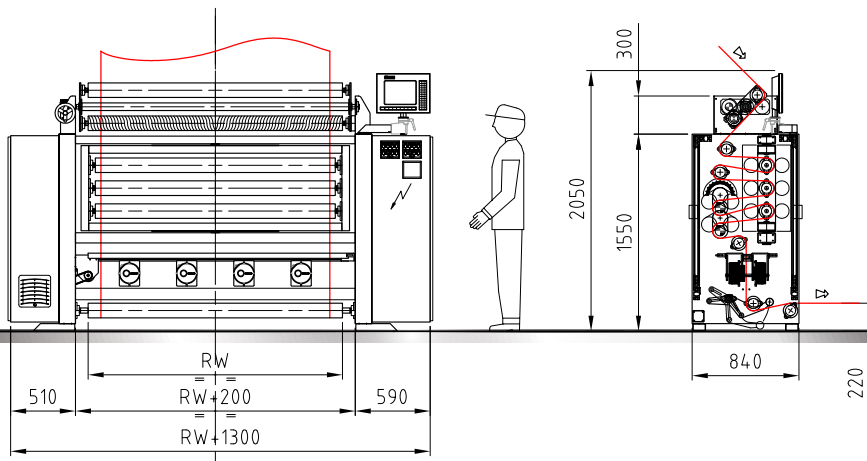


www.bianco-spa.com

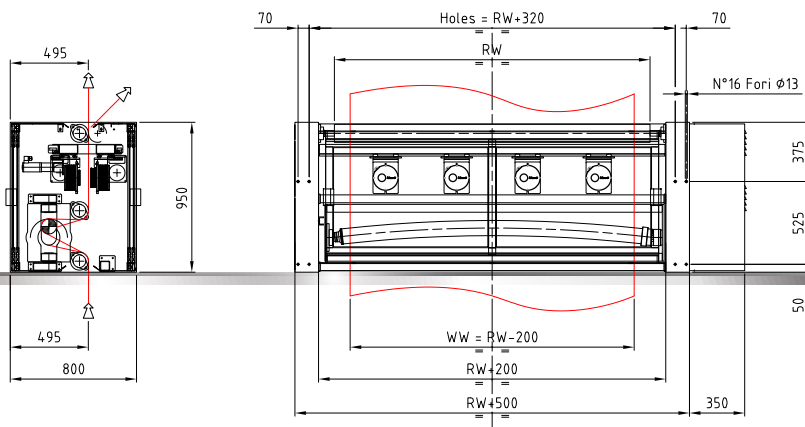
OPTICAL WEFT STRAIGHTENER



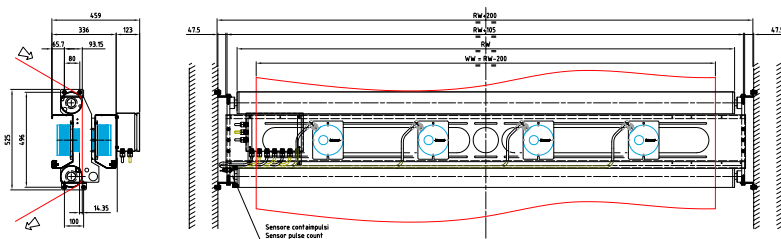
Bianco® Optical Weft Straightener FDC



Bianco® Optical Weft Straightener MDC



Bianco® Mini-Straightener



Bianco® Reading Bridge

The specification, data and drawings contained herein are purely indicative and may be subject to changes at the discretion of the manufacturer.